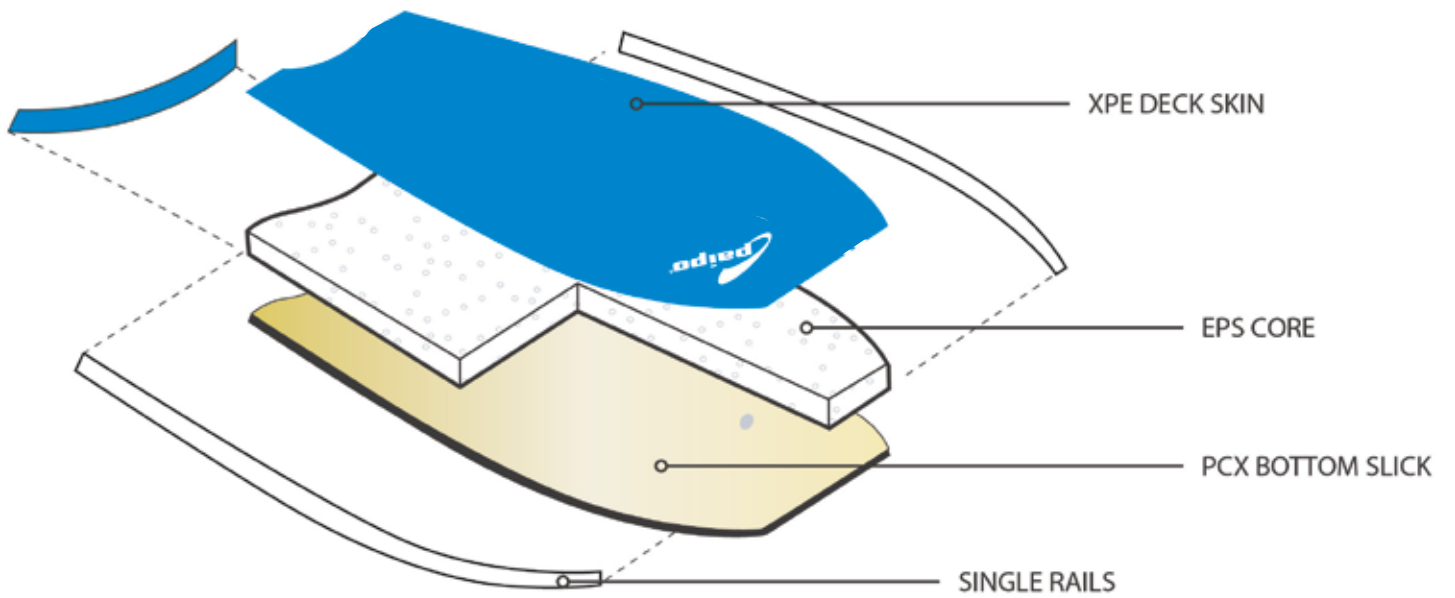




**BODYBOARDS  
2024**

# BODYBOARD EPS - 9T



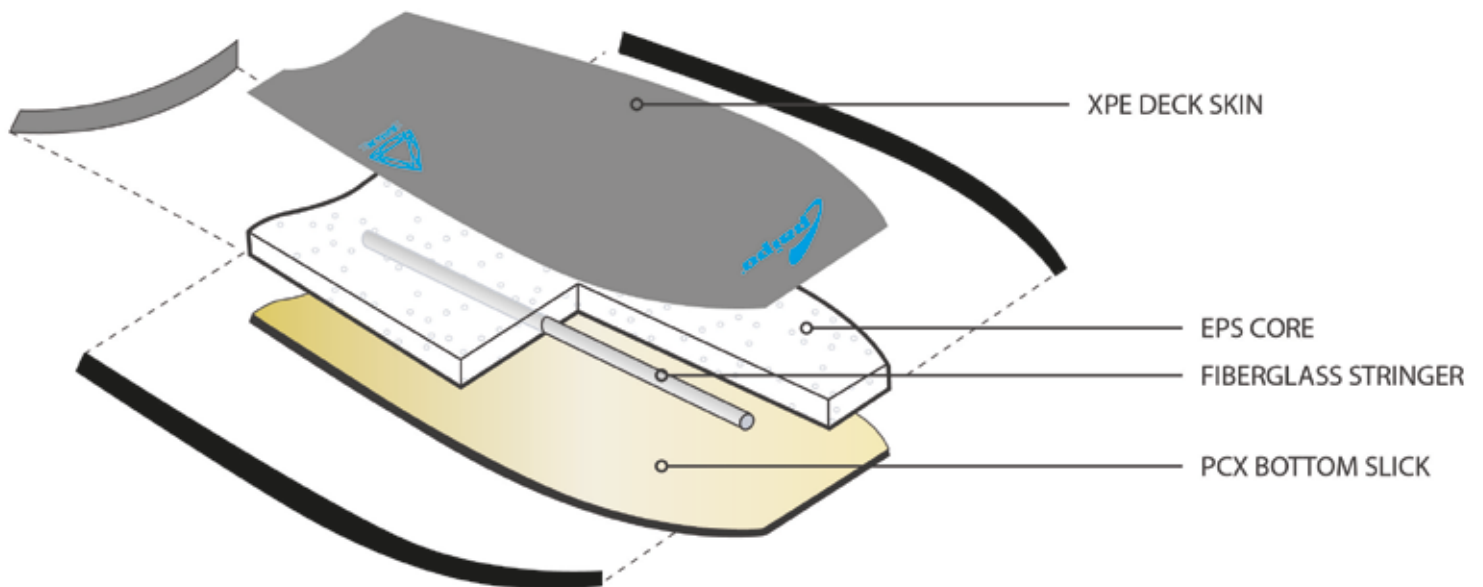
# BODYBOARD EPS - 9T



|                       |  |
|-----------------------|--|
| Deck skin             | XPE                                      |
| Core                  | EPS                                      |
| Slick                 | PCX slick formula                        |
| Rails                 | Single                                   |
| Tail                  | Crescent                                 |
| Features              | Channels x2<br>Plug<br>Leash             |
| Sizes                 | 33" / 36" / 38" / 40" / 42"              |
| Packaging             | Film                                     |
| Packing               | 6 pcs per carton - Assorted colors       |
| Barcode               | Yes                                      |
| Colors (Board /Slick) | Red/ White - Blue/ White - Yellow/ White |



# BODYBOARD EPS - SUPRA





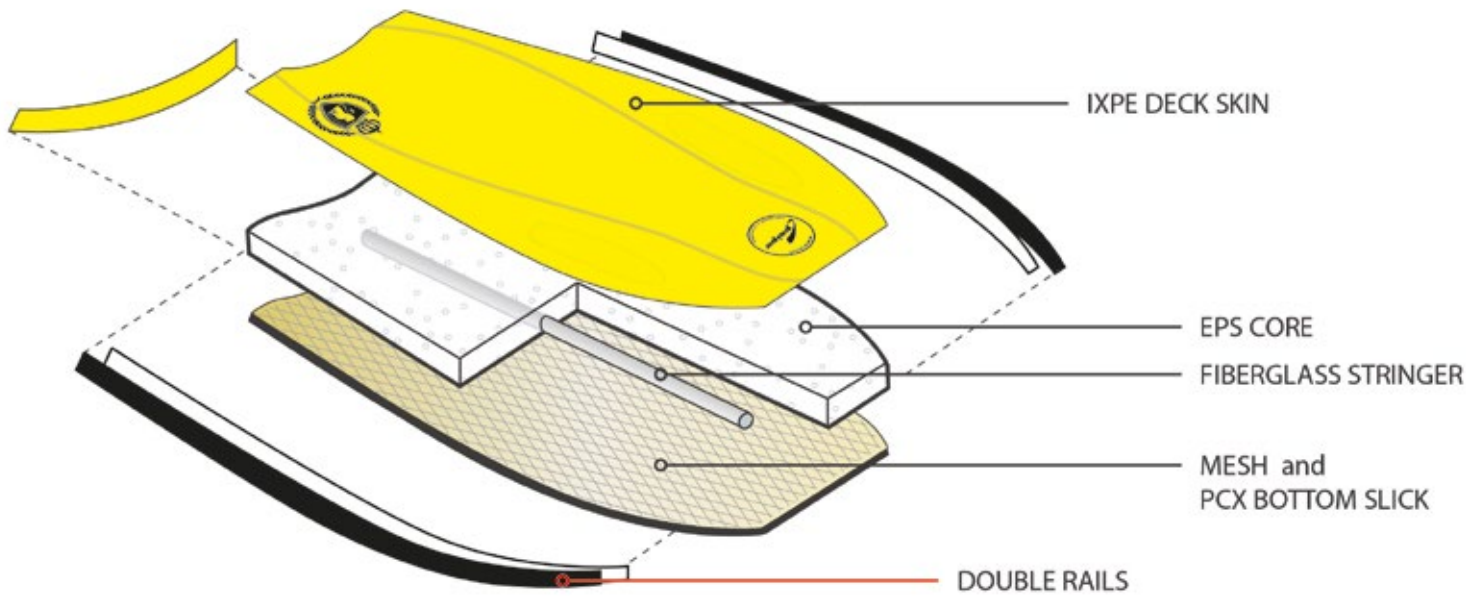
# BODYBOARD EPS - SUPRA



|                       |  |
|-----------------------|--|
| Deck skin             | XPE  |
| Core                  | EPS  |
| Slick                 | PCX slick formula  |
| Rails                 | Single   |
| Tail                  | Crescent   |
| Features              | Channels x2<br>Fibre Stringer x1<br>Plug                 |
| Sizes                 | Wrist coiled leash (no swivels)<br>38" / 40" / 42" / 44" |
| Packaging             | Shrink with poster and leash                             |
| Packing               | 6 pcs per carton - Assorted colors                       |
| Barcode               | Yes  |
| Colors (Board /Slick) | Grey/ Blue - Yellow/ Orange - Blue/ White                |



# BODYBOARD EPS - KING



# BODYBOARD EPS - KING



|                       |   |
|-----------------------|---|
| Deck skin             | XPE   |
| Core                  | EPS   |
| Slick                 | PCX slick formula   |
| Rails                 | Double  |
| Tail                  | Crescent  |
| Features              | Channels x2<br>Fibre Stringer x1<br>Mesh<br>Plug<br>Wrist coiled leash (no swivels) |
| Sizes                 | 38" / 40" / 42" / 44"   |
| Packaging             | Shrink with poster and leash  |
| Packing               | 6 pcs per carton - Assorted colors  |
| Barcode               | Yes   |
| Colors (Board /Slick) | Yellow/ Orange - Grey/ Blue - Blue/ White   |



# BODYBOARD FINS



|                |   |
|----------------|---|
| Features       | 100% Natural rubber<br>Light and comfortable<br>Single evacuation hole for water and stones                 |
| Sizes          | X- Small (36-37)<br>Small (38-39)<br>Medium (40-41)<br>Large (42-43)<br>X-Large (44-45)<br>XX-Large (46-47) |
| Packaging      | 1 pair per polibag  |
| Master packing | 10 prs per carton   |
| Barcode        | Oui   |
| Colors         | Black/ Orange   |



# BODYBOARD FINN



## Features

100% Malaysian Natural rubber  
 Floatable  
 Light and comfortable  
 Double evacuation hole for water and stones  
 Stiff to improve propulsion, assymetric for a better railing on the waves

## Sizes

Medium (7-8.5 / 39-40.5)  
 Medium Large (9-10.5 / 41-43.5)  
 Large (11-12.5 / 44-45.5)

## Packaging

Master packing

Barcode

Colors

1 pair per polibag

10 prs per carton (Assorted colors)

Oui

Blue/Yellow - Black/ Blue



## BODYBOARD COVER



Housse bodyboard Paipo  
It can handle a 45" board, one pair of fins and a wetsuit.

|             |  |
|-------------|--|
| Features    | 1 pocket<br>Side handle<br>Backpack straps |
| Composition | Polyester<br>Injected plastic (closure)    |
| Packaging   | 1 unit per polybag                         |
| Master pack | 48 pcs per carton                          |
| Barcode     | Yes  |
| Colors      | Black/ Red                                 |

## BODYBOARD LEASH ESSENTIAL



Leash poignet téléphone avec plug

Uréthane Ø 5mm  
Neoprene 3mm for extra confort  
2 connectors welded to Urethane  
Sold with plug included

|             |                    |
|-------------|--------------------|
| Packaging   | Single unit carton |
| Master pack | 75 pcs per carton  |
| Barcode     | Yes                |
| Colors      | Black              |



# LEASH BODY DELUXE



Leash poignet téléphone avec plug

Uréthane Ø 7mm

Neoprene 3mm for extra confort

1 Stainless Steel swivel (anti-friction)

2 connectors welded to Urethane

Premium Urethana AAA+

Sold with plug included

Packaging Single unit carton

Master pack 30 pcs per carton

Barcode Yes

Colors Black



# LEASH BODY BICEPS



Leash biceps téléphone avec plug

Uréthane Ø 7mm  
Neoprene 3mm for extra confort  
2 Stainless Steel swivels (anti-friction)  
2 connectors welded to Urethane  
Premium Urethana AAA+  
Sold with plug included

|             |                    |
|-------------|--------------------|
| Packaging   | Single unit carton |
| Master pack | 30 pcs per carton  |
| Barcode     | Yes                |
| Colors      | Black / Orange     |



# PLUGS BODYBOARD



Plugs Bodyboard Assorted colors

Composition Nylon

Sizes Standard

Master pack 10 pcs- Assorted colors

Barcode Yes

Colors Black - White - Green - Silver - Orange -  
Yellow - Blue - Dark Blue - Violet - Red



# BODYBOARD ACCESSORIES



Chaussons néoprene 2 mm  
Composition Neoprene double jersey  
Sizes Small  
Medium  
Large  
X-Large

Packaging 1 pair per carton  
Master pack 10 pcs per carton  
Barcode Yes  
Colors Black



# BODYBOARD ACCESSORIES



## Paipo Fin Tethers

Composition 10% Polyamide / 90% Neoprene  
Sizes One size fits all

Packaging 1 pair per carton  
Master pack 10 pcs per carton  
Barcode Yes  
Colors Black

Neoprene to increase confort  
Easy to use



# BODYBOARD ACCESSORIES



## Paipo Fin Tethers

Composition 10% Polyamide / 90% Neoprene  
Sizes One size fits all

Packaging 1 pair per carton  
Master pack 10 pcs per carton  
Barcode Yes  
Colors Black



# SKIMBOARDS



ALA MOANA



VENICE



WAIKIKI

Paipo wooden skimboard

Composition Wood  
 Size 35 - 37 - 41

Packaging 1pc shrink wrapped  
 Master pack 6pcs per carton- Assorted colors (3-3)  
 Colors Ala Moana / Venice

| Dimensions | 35"   | 37"   | 41"   |
|------------|-------|-------|-------|
| Length     | 89cm  | 95cm  | 105cm |
| Width      | 50cm  | 52cm  | 53cm  |
| Thickness  | 0.7cm | 0.9cm | 0.9cm |

